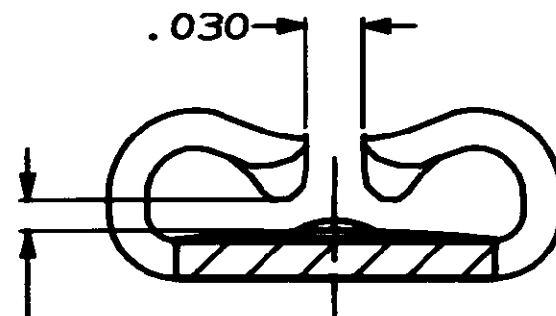
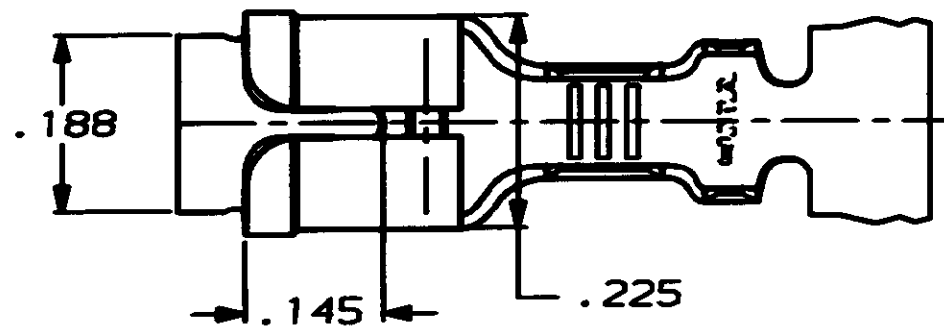
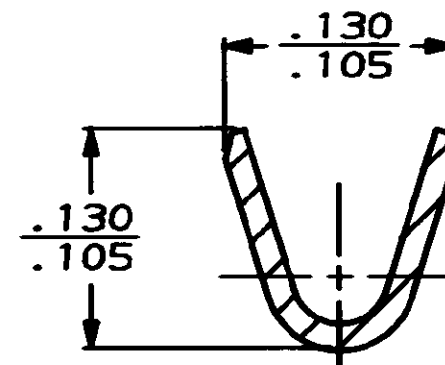
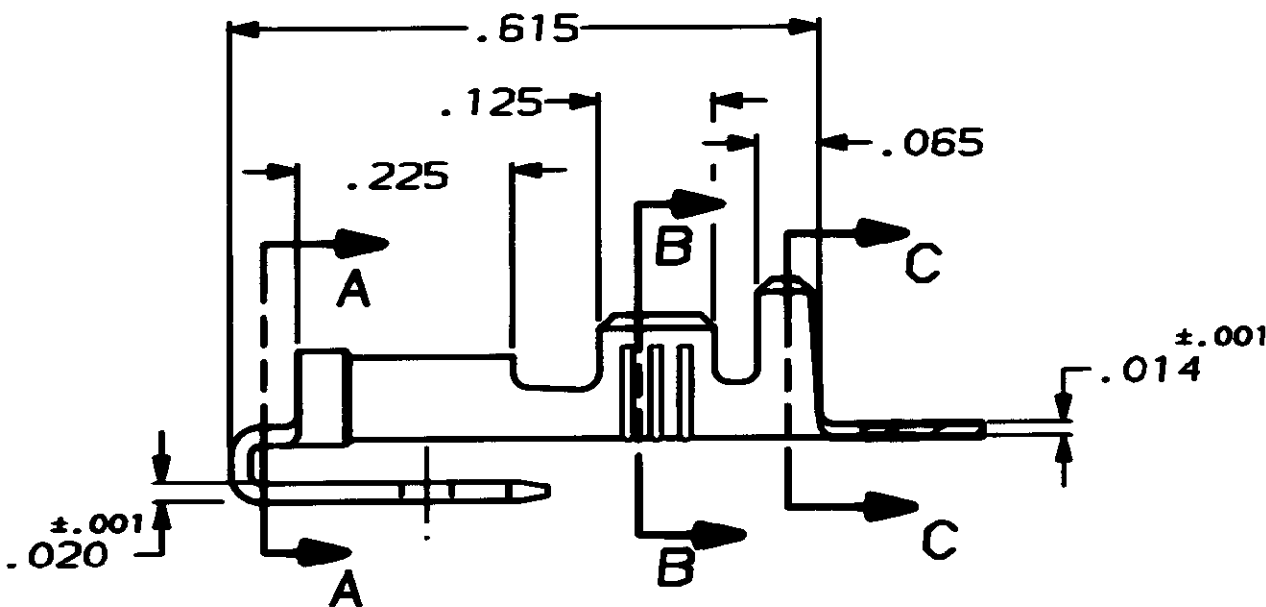


LOC	DIST	P	F	ZONE	LTR	REVISIONS		
						DESCRIPTION	DATE	APPD
AF	50				E	REDRAWN & REV AF-6967	9/18/90	JR/CM

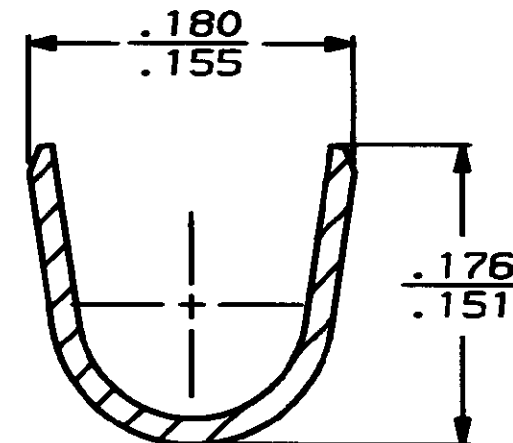
1 CONTINUOUS STRIP ON REELS.



FITS .187 SERIES FASTON TAB
SECTION A-A
SCALE 10:1



SECTION B-B
SCALE 10:1



SECTION C-C
SCALE 10:1

.090-.130	20-16	-	.020	62026-2
		TIN		62026-1
INSULATION RANGE	WIRE SIZE	FINISH	MATING TAB THK ±.001	PART NO
DO NOT SCALE PRINT. UNLESS SPECIFIED DIMENSIONS ARE IN INCHES. TOLERANCES ON: 2 PLC DEC ± .015 3 PLC DEC ± .015 ANGLES ± .	OR 9/18/90 JR RWH CHK 9/18/90 P FORNEY APPD 9/18/90 C NEVES APPD 9/18/90 R BUDG PRODUCT SPEC	AMP Incorporated Harrisburg, PA 17105-3608		
MATERIAL #4H PREMILLED BRASS	APPLICATION SPEC	RECEPTACLE & TAB, FASTON, PIGGYBACK, .187 SERIES		
FINISH SEE TABLE	SCALE	SIZE B	CAGE CODE 00779	DRAWING NO 62026
		SCALE 5:1	SHEET 1 OF 1	